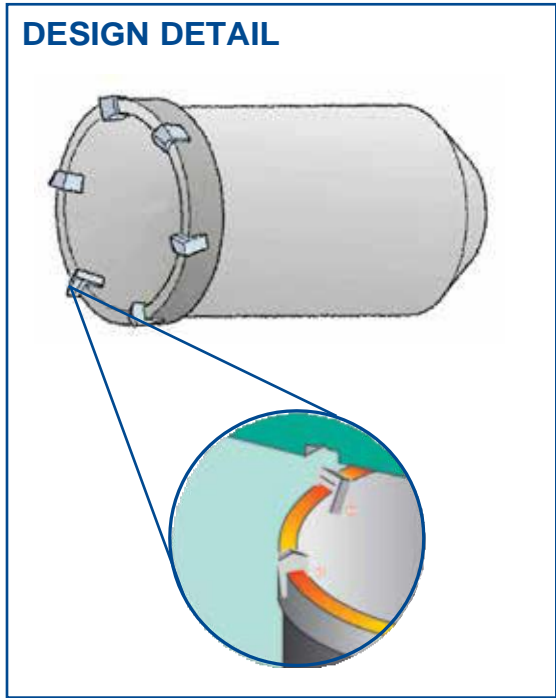
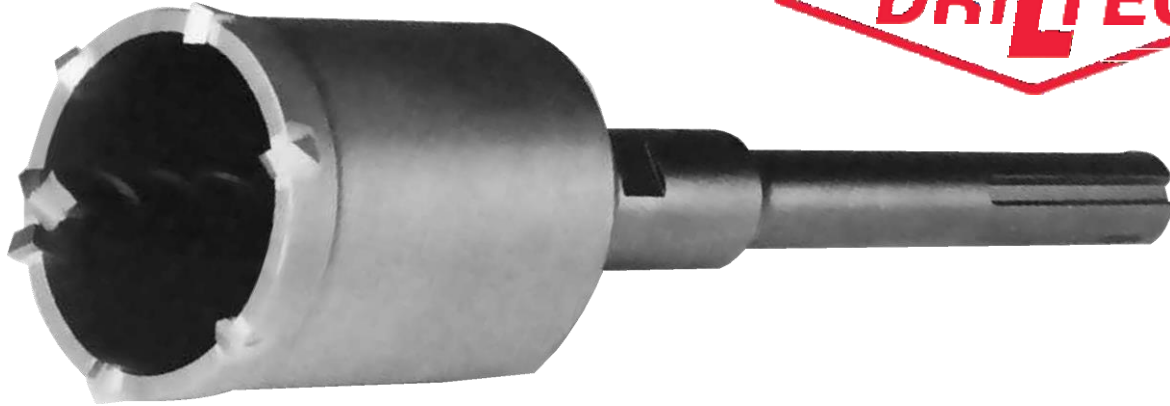


# RATIO CORE BITS

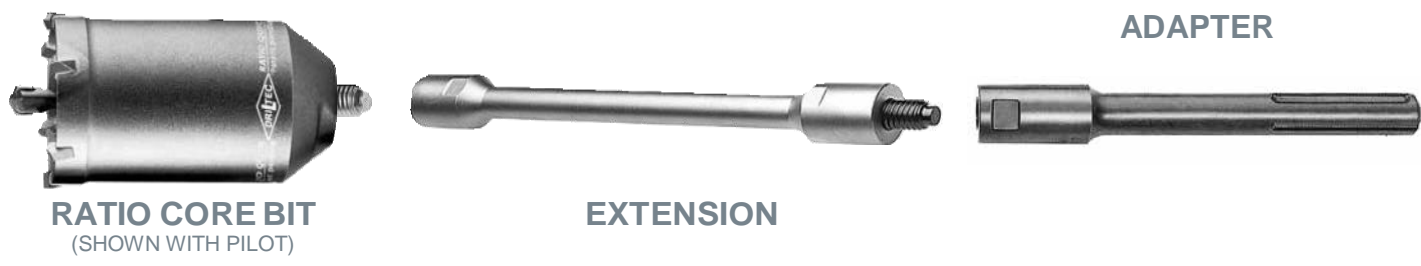


Made in Germany.

ITEM	DESCRIPTION	DIAMETER x USABLE LENGTH	PART NUMBER
CORE BITS	(Ratio-Thread) Use with "RA" Adapter and "RP-225-255" Pilot Bit For deeper holes use "RE-300-300 & RE-450-450" Extension only	1-1/2" x 3"	RK-150-150
		2" x 3"	RK-200-200
		2-1/2" x 3"	RK-250-250
		3" x 3"	RK-300-300
		3-1/2" x 3"	RK-350-350
		3-3/4" x 3"	RK-375-375
		4" x 3"	RK-400-400
		4-1/2" x 3"	RK-450-450
		5" x 3"	RK-500-500
		6" x 3"	RK-600-600
ADAPTER	(Ratio-Thread) Splined Shank SDS-Max SDS-Top SDS-Plus	2"	RA-010-010
		2"	RA-020-020
		2"	RA-025-025
		2"	RA-030-030
Extension	(with Ratio Coupler) 11" Extension 18" Extension	11"	RE-300-300
		18"	RE-450-450
PILOT BIT	<i>Ratio Core Bits Only!</i>	7/16" x 6"	RP-255-255
COUPLER	Ratio replacements	N/A	RT-001-001

Radical new design. Enhanced for increased carbide embodiment. Reduced body to drilling diameter decreases hole wall friction. Unique new carbide composition and tip shape. Sturdy high-grade chrome molybdenum steel body. This new core bit design will maximize drilling speed and tool life up to 30% over other systems. Integration with the Ratio-System provides for fantastic system flexibility.

The alternating pointed chisel carbide teeth and the spade carbide teeth are designed to optimize and enhance each other during the drilling operation. The chisel tips score and break-up the materials as well as stabilize the core bits' working characteristics. The spade tips further break and remove the materials. Even problems associated with drilling re-enforced concrete are greatly reduced with this new bit design.



**RATIO CORE BIT**  
(SHOWN WITH PILOT)

**EXTENSION**

**ADAPTER**